

# 4135LTCK PRO-FIT<sup>®</sup> 2 - 1.28

**MANSFIELD<sup>®</sup>**

Complete Toilet Kit, Elongated Front, Vitreous China, Two-Piece Toilet

## FEATURES

- Complete toilet kit (CTK)
- 3-bolt SmartFaster™ tank-to-bowl connection
- 1.28 gpf / 4.8 lpf high efficiency water consumption
- Uses 20% less water than conventional toilets
- Elongated front bowl
- 3-2" hybrid flapper flush valve
- Fluidmaster® anti-siphon pilot fill valve
- 12" rough-in
- Lined tank for reduced condensation
- Model 31 color-match, plastic trip lever
- 2" glazed trapway
- The Mansfield® Limited Lifetime Warranty
- Available in White



**MODEL 4135LTCK**

Toilet seat included

Complete toilet kit





ELONGATED



CTK

## COMPONENTS

MODEL #	DESCRIPTION	CODES/STANDARDS
<b>4135LTCK</b>	Elongated front, two-piece toilet kit. Includes toilet seat, wax ring, floor bolts, caps and multi-lingual installation instructions. Water supply hardware not included.	 
<b>135</b>	Elongated front, toilet bowl only. Less toilet seat.	
<b>3174</b>	Tank and cover only with left hand, front-mount, color-match, plastic trip lever. Tank liner. Fluidmaster® fill valve. Less supply.	
<b>SB200</b>	Elongated front, plastic toilet seat and cover.	
<b>TANK TRIM &amp; REPLACEMENT PARTS</b>		
<b>31</b>	Trip lever – color-match, plastic trip lever, left hand	
<b>228</b>	3-2" Hybrid flapper flush valve	
<b>400A</b>	Fluidmaster® anti-siphon pilot fill valve	
<b>2206</b>	Anti-siphon pilot fill valve (compatible replacement)	
<b>630-0207</b>	3" Replacement flapper kit	
<b>160-LID</b>	Tank lid	



# 4135LTCTK PRO-FIT<sup>®</sup> 2 - 1.28



Complete Toilet Kit, Elongated Front, Vitreous China, Two-Piece Toilet

## SPECIFICATIONS

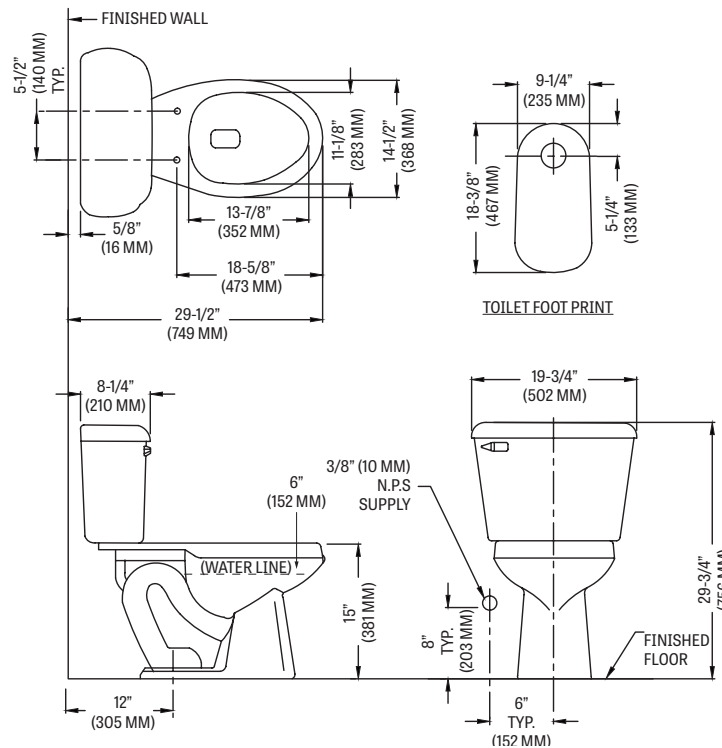
MODEL #	DESCRIPTION	CODES/STANDARDS
4135LTCTK	Elongated front (1.28 gpf / 4.8 lpf) two-piece toilet kit	 

MATERIAL	Vitreous China
WATER PRESSURE RANGE	20 to 80 PSI
FLUSH SYSTEM	3-2" Hybrid flapper flush valve
WATER USAGE	1.28 gpf / 4.8 lpf
WATER SURFACE AREA	9' X 10'
ROUGH-IN	12'
MAP RATING	800 grams

TRAP DIAMETER	2'
TRAP SEAL	2-1/2'
SHIPPING WEIGHT	Model 4135LTCTK - 88 lbs. (40 kg)
WARRANTY	Vitreous China - Limited Lifetime Tank Trim - Limited One Year

## TECHNICAL INFORMATION

**Note:** these dimensions are nominal and subject to change without notice.



Fixture performance and specifications meet or exceed ASME A112.19.2/CSA B45.1 standards, and other state and local codes.

